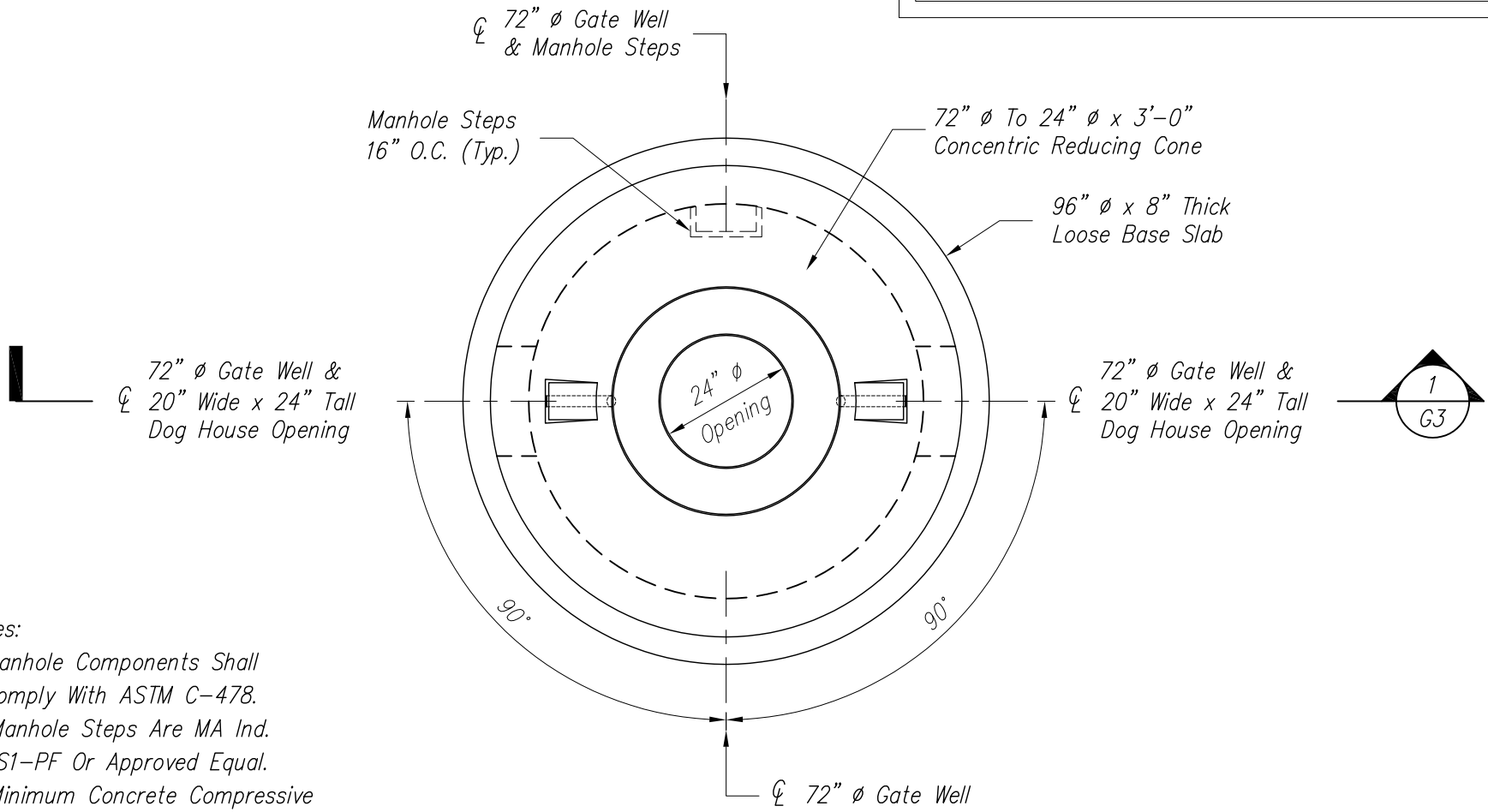


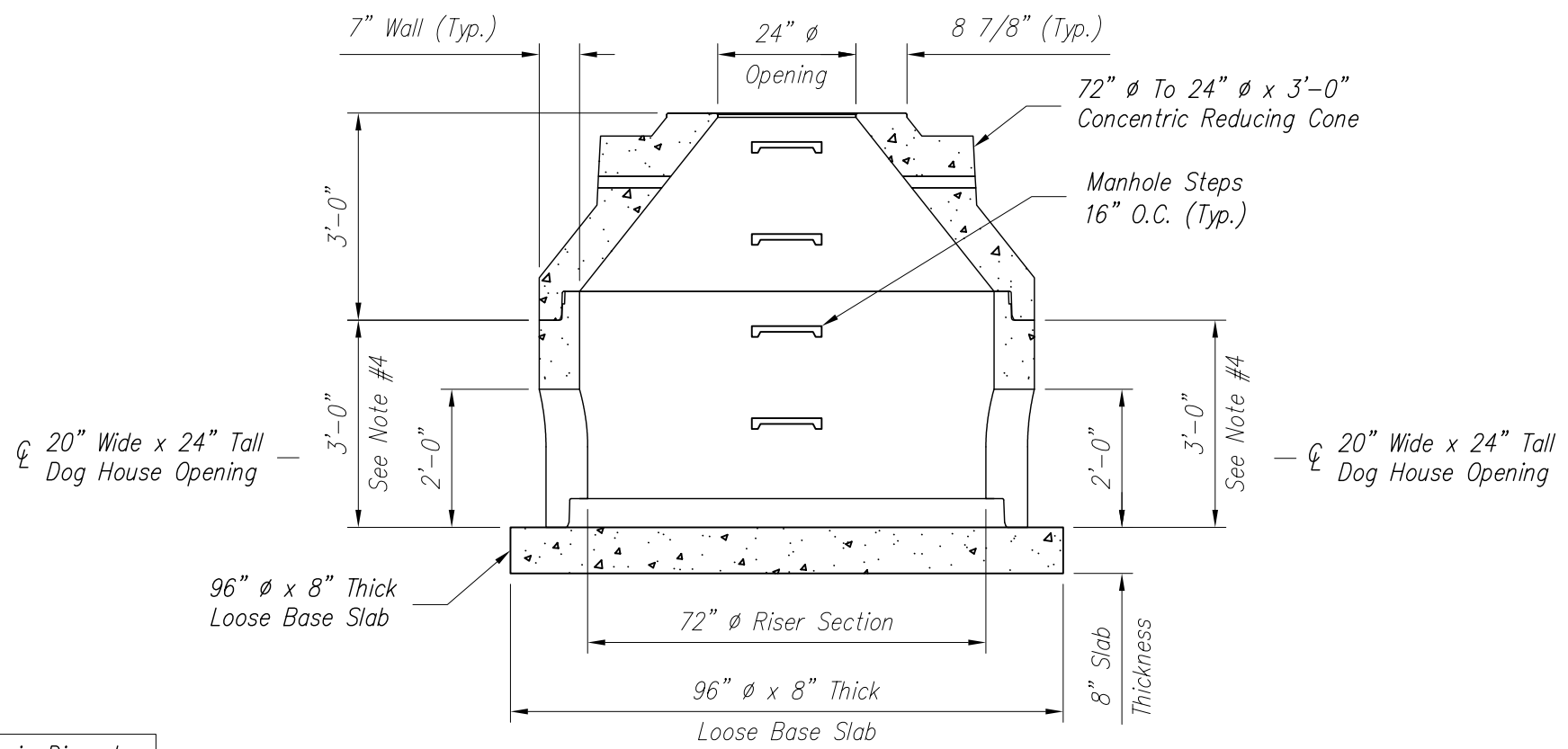
# 72" Ø STANDARD GATE WELL ASSEMBLY

APPROVED BY: \_\_\_\_\_  
 COMPANY: \_\_\_\_\_  
 DATE: \_\_\_\_\_



PLAN VIEW

- Notes:
1. Manhole Components Shall Comply With ASTM C-478.
  2. Manhole Steps Are MA Ind. PS1-PF Or Approved Equal.
  3. Minimum Concrete Compressive Strength Shall Be 4,000 p.s.i.
  4. See 72" Ø Riser Height Table For Other Commonly Available 72" Ø Risers Heights.



SECTION

Watermain Diameter
3" Diameter
4" Diameter
6" Diameter
8" Diameter
10" Diameter
12" Diameter
14" Diameter
16" Diameter
18" Diameter
20" Diameter

Joint Type	72" Ø Riser Height
ASTM C 443	3'-0" (Std.)
ASTM C 990	4'-0"
Mastic	5'-4"
Mortar	8'-0"

Approximate Component Weights:  
 96" Ø x 8" Thick Loose Base Slab .....5030#  
 72" Ø x 3'-0" Riser Section .....5430#  
 72" Ø To 24" Ø x 3'-0" Concentric Cone ..4700#

Drawing No.	
Scale: 1=30	Drawn By: GCB
Sheet No. <b>G3</b>	Chk'd By: JKC
	Date: 11/14/05

## 72" Ø STANDARD GATE WELL ASSEMBLY

Sheet Title:  
PLAN & SECTION VIEWS

Revisions:

No.	Date
1	
2	
3	
4	

Producer:  
THE PREMARC CORPORATION

**PREMARC**  
 INFRASTRUCTURE SPECIALISTS SINCE 1927

**7505 Highway M-71  
 Durand, Michigan 48429  
 (989)-288-2661**