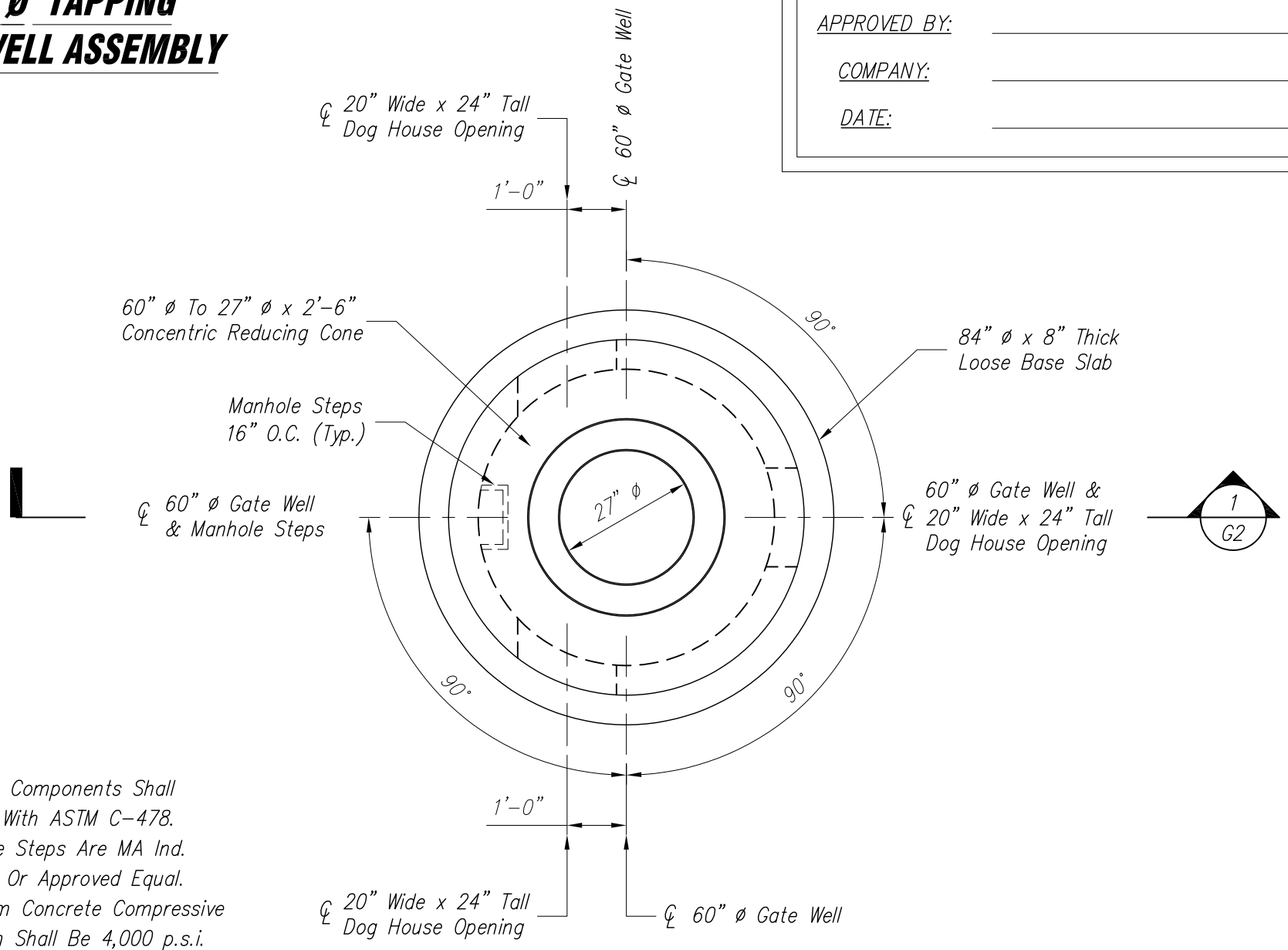


60" Ø TAPPING GATE WELL ASSEMBLY

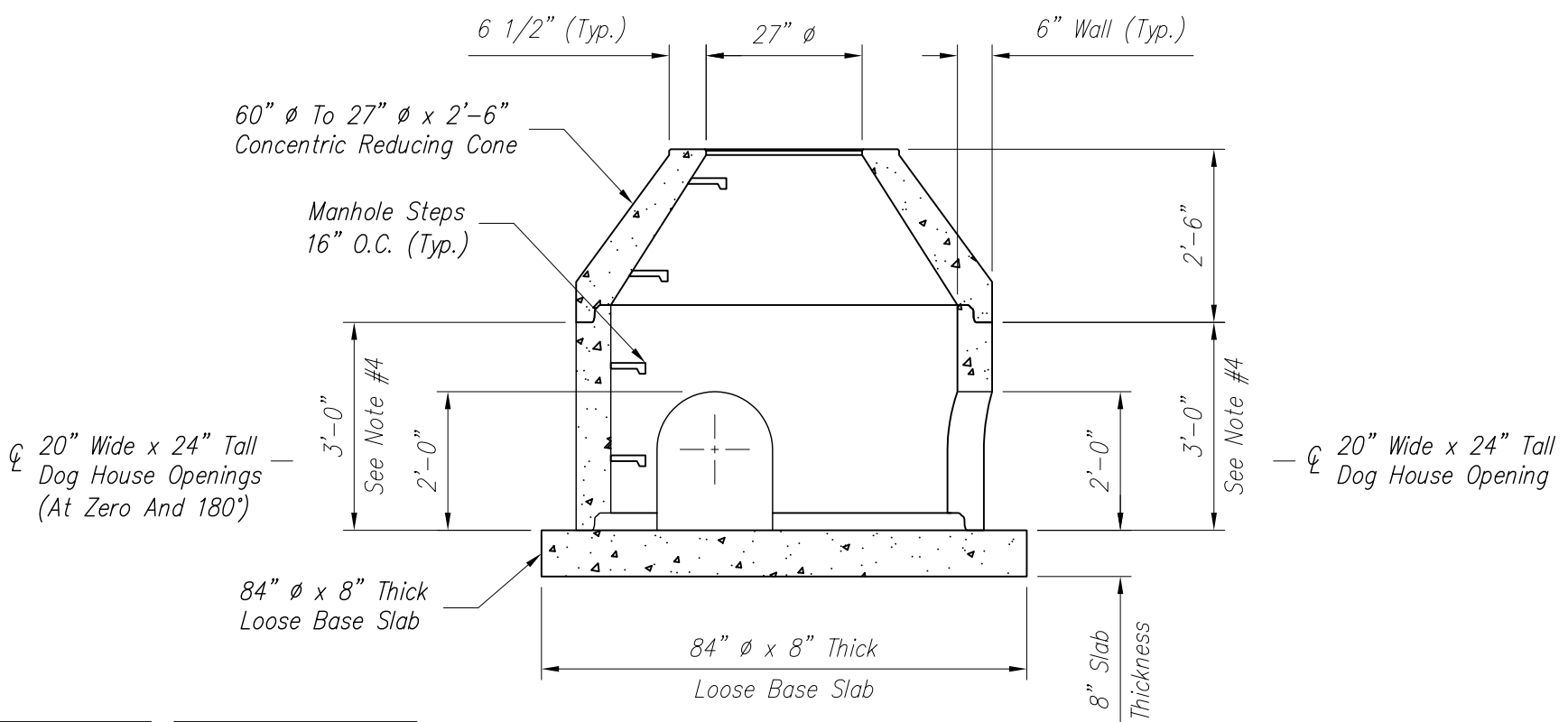
APPROVED BY: _____
 COMPANY: _____
 DATE: _____



PLAN VIEW

Notes:

1. Manhole Components Shall Comply With ASTM C-478.
2. Manhole Steps Are MA Ind. PS1-PF Or Approved Equal.
3. Minimum Concrete Compressive Strength Shall Be 4,000 p.s.i.
4. See 60" Ø Riser Height Table For Other Commonly Available 60" Ø Risers Heights.



SECTION

| Watermain Diameter For Mainline Pipe | |
|--------------------------------------|--|
| 3" Diameter | |
| 4" Diameter | |
| 6" Diameter | |
| 8" Diameter | |
| 10" Diameter | |
| 12" Diameter | |
| 14" Diameter | |
| 16" Diameter | |

| Watermain Diameter For Tapping Pipe | |
|-------------------------------------|--|
| 3" Diameter | |
| 4" Diameter | |
| 6" Diameter | |
| 8" Diameter | |
| 10" Diameter | |
| 12" Diameter | |
| 14" Diameter | |
| 16" Diameter | |

| Joint Type | |
|------------|--|
| ASTM C 443 | |
| ASTM C 990 | |
| Mastic | |
| Mortar | |

| 60" Ø Riser Height | |
|--------------------|--|
| 3'-0" (Std.) | |
| 4'-0" | |
| 5'-4" | |

Approximate Component Weights:

| | |
|--|--------|
| 84" Ø x 8" Thick Loose Base Slab | 3,850# |
| 60" Ø x 3'-0" Riser Section | 4,025# |
| 60" Ø To 27" Ø x 2'-6" Concentric Cone | 3,075# |

| |
|----------------|
| Drawing No. |
| Scale: 1=30 |
| Drawn By: RLH |
| Sheet No. G2 |
| Chk'd By: JKC |
| Date: 11/15/05 |

60" Ø TAPPING GATE WELL ASSEMBLY

| |
|-------------------------|
| Sheet Title: |
| PLAN & SECTION VIEWS |
| Producer: |
| THE PREMARC CORPORATION |

| Revisions: | |
|------------|------|
| No. | Date |
| 1 | |
| 2 | |
| 3 | |
| 4 | |

PREMARC
 INFRASTRUCTURE SPECIALISTS SINCE 1927
 7505 Highway M-71
 Durand, Michigan 48429
 (989)-288-2661