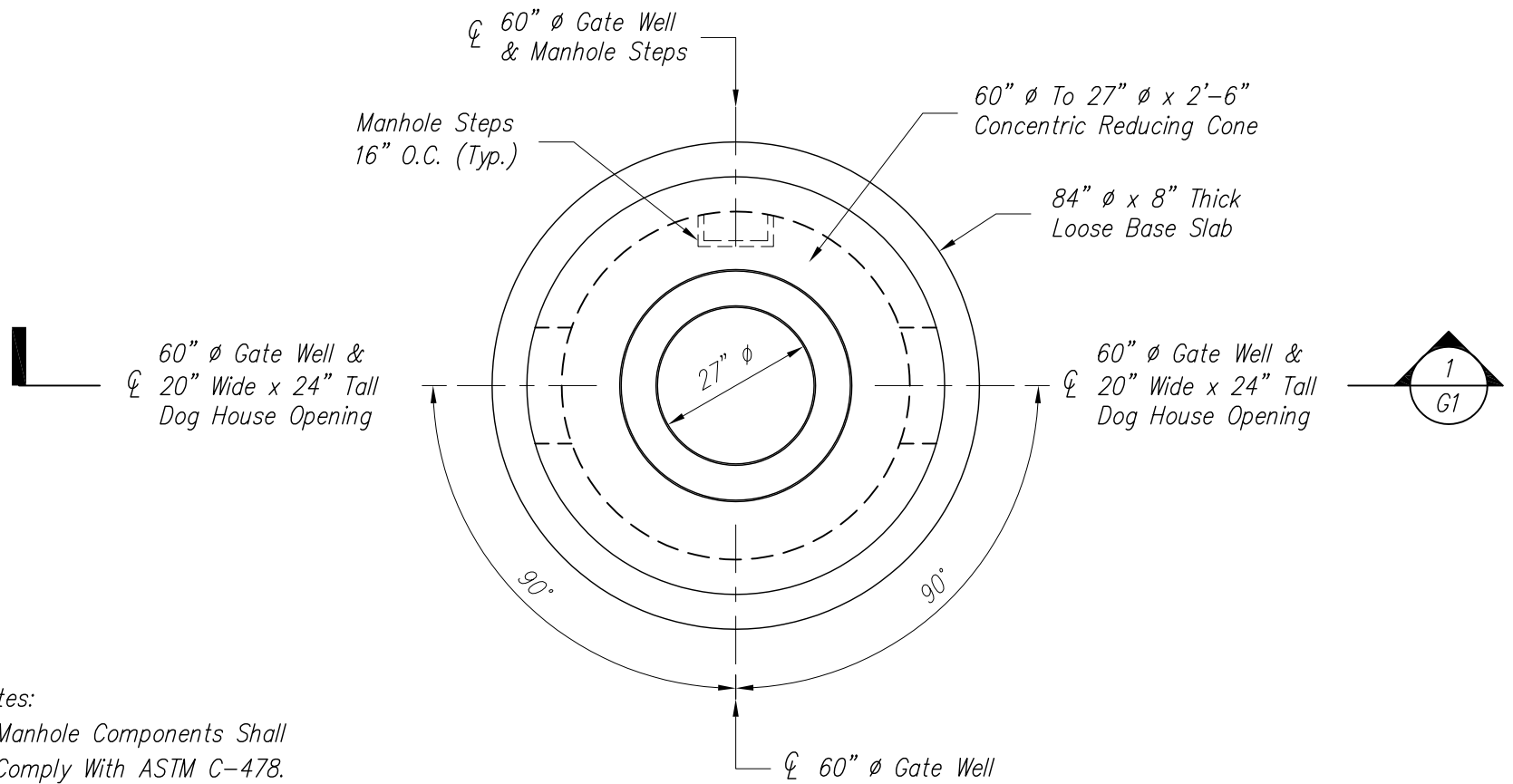


60" Ø STANDARD GATE WELL ASSEMBLY

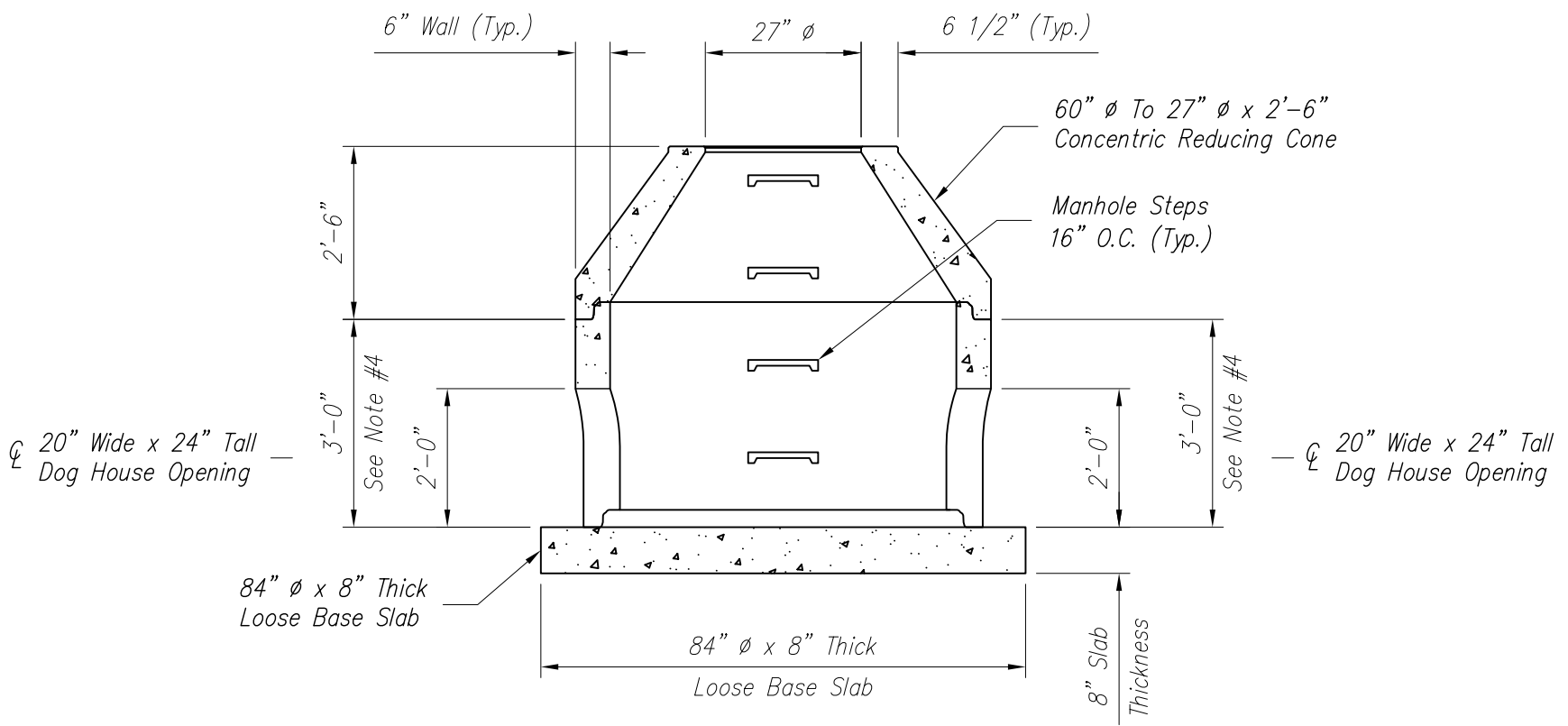
APPROVED BY: _____
 COMPANY: _____
 DATE: _____



Notes:

1. Manhole Components Shall Comply With ASTM C-478.
2. Manhole Steps Are MA Ind. PS1-PF Or Approved Equal.
3. Minimum Concrete Compressive Strength Shall Be 4,000 p.s.i.
4. See 60" Ø Riser Height Table For Other Commonly Available 60" Ø Risers Heights.

PLAN VIEW



1
G1 SECTION

Watermain Diameter	
3" Diameter	
4" Diameter	
6" Diameter	
8" Diameter	
10" Diameter	
12" Diameter	
14" Diameter	
16" Diameter	

Joint Type	
ASTM C 443	
ASTM C 990	
Mastic	
Mortar	

60" Ø Riser Height	
3'-0" (Std.)	
4'-0"	
5'-4"	

Approximate Component Weights:	
84" Ø x 8" Thick Loose Base Slab	3,850#
60" Ø x 3'-0" Riser Section	4,025#
60" Ø To 27" Ø x 2'-6" Concentric Cone ..	3,075#

Drawing No.
Scale: 1=30
Drawn By: RLH
Sheet No. G1
Chk'd By: JKC
Date: 9/29/05

60" Ø STANDARD GATE WELL ASSEMBLY

Sheet Title:
PLAN & SECTION VIEWS
Producer:
THE PREMARC CORPORATION

Revisions:	
No.	Date
1	
2	
3	
4	

PREMARC
 INFRASTRUCTURE SPECIALISTS SINCE 1927
 7505 Highway M-71
 Durand, Michigan 48429
 (989)-288-2661